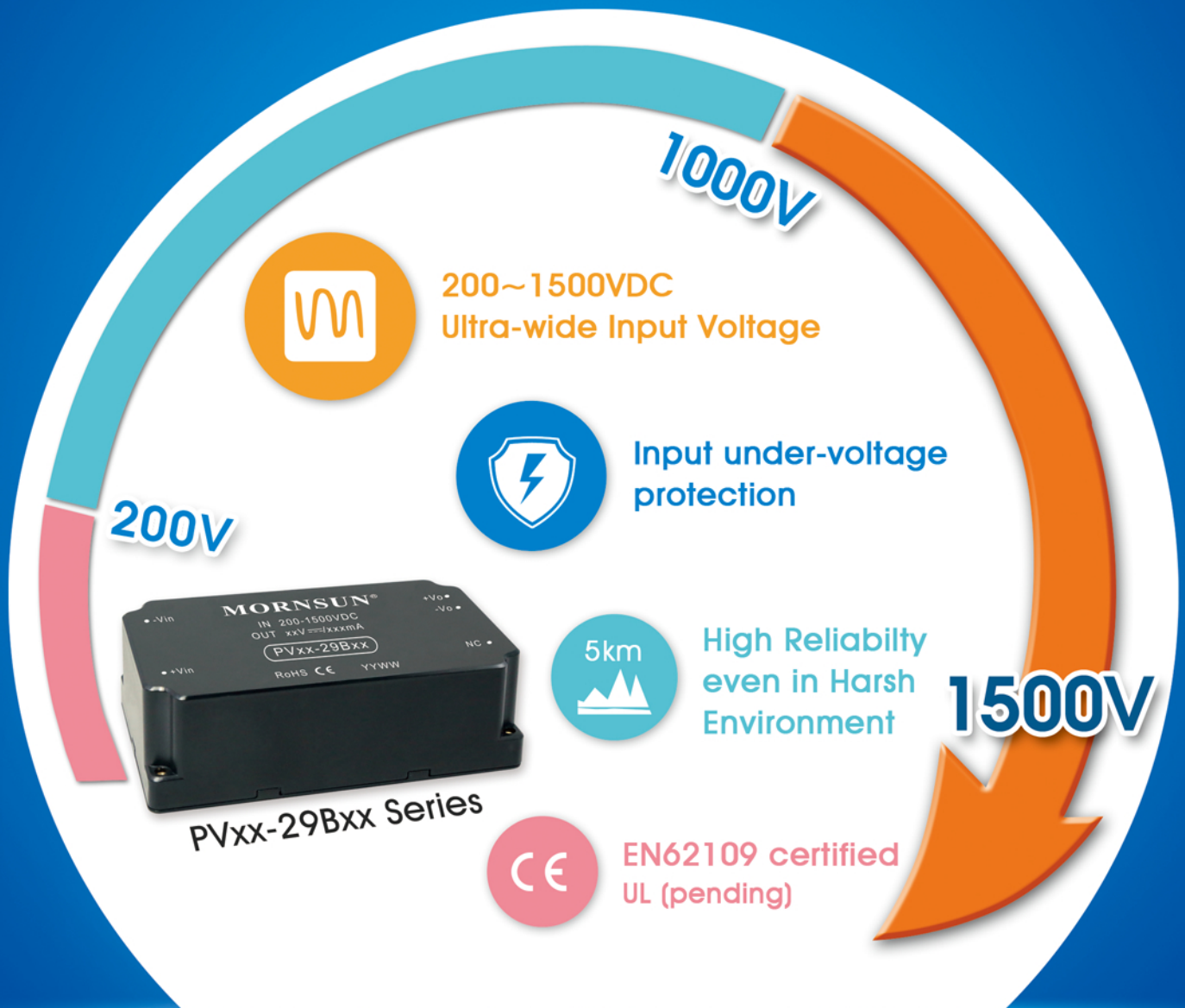


MORNSUN[®]

200~1500VDC Input Solar PV DC/DC Converter



- Output Power: 10W, 15W, 40W, 45W
- Operating Temperature: -40°C~ +70°C
- High Isolation Voltage: 4000VAC
- High efficiency, low ripple & noise

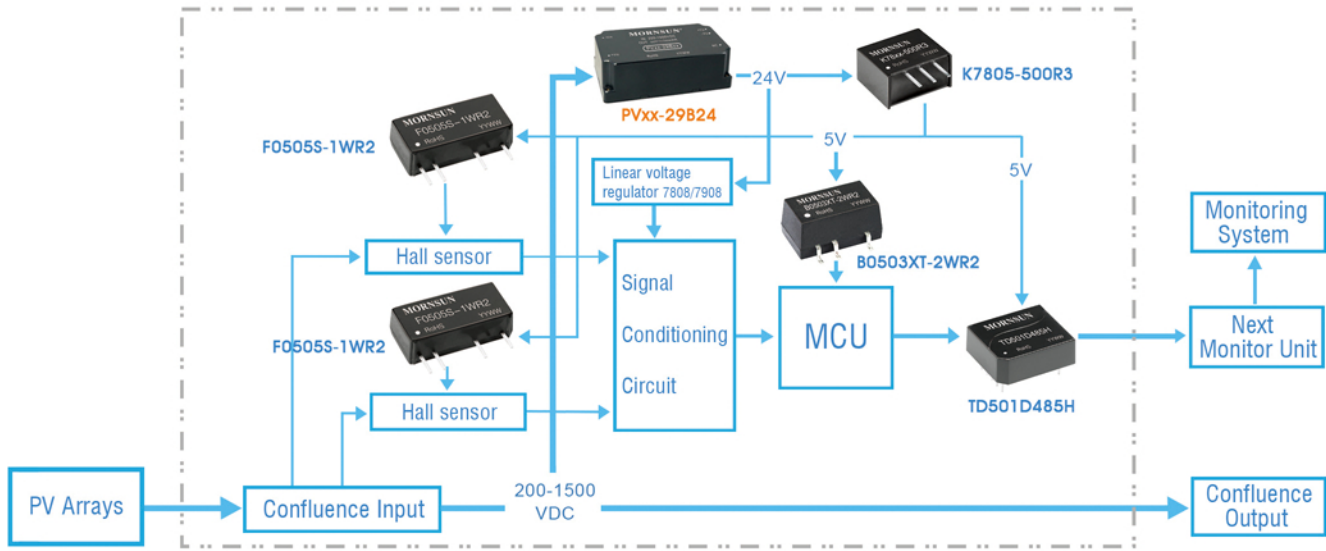
- Input Under-voltage, Reverse Input Voltage, Output Short-circuit, Over-current and Over-voltage Protection
- Optional packages: PCB mounting
Din-Rail mounting



* For the detailed information, please refer to datasheet.

Applications: Photovoltaic System, High voltage frequency conversion, SVG.

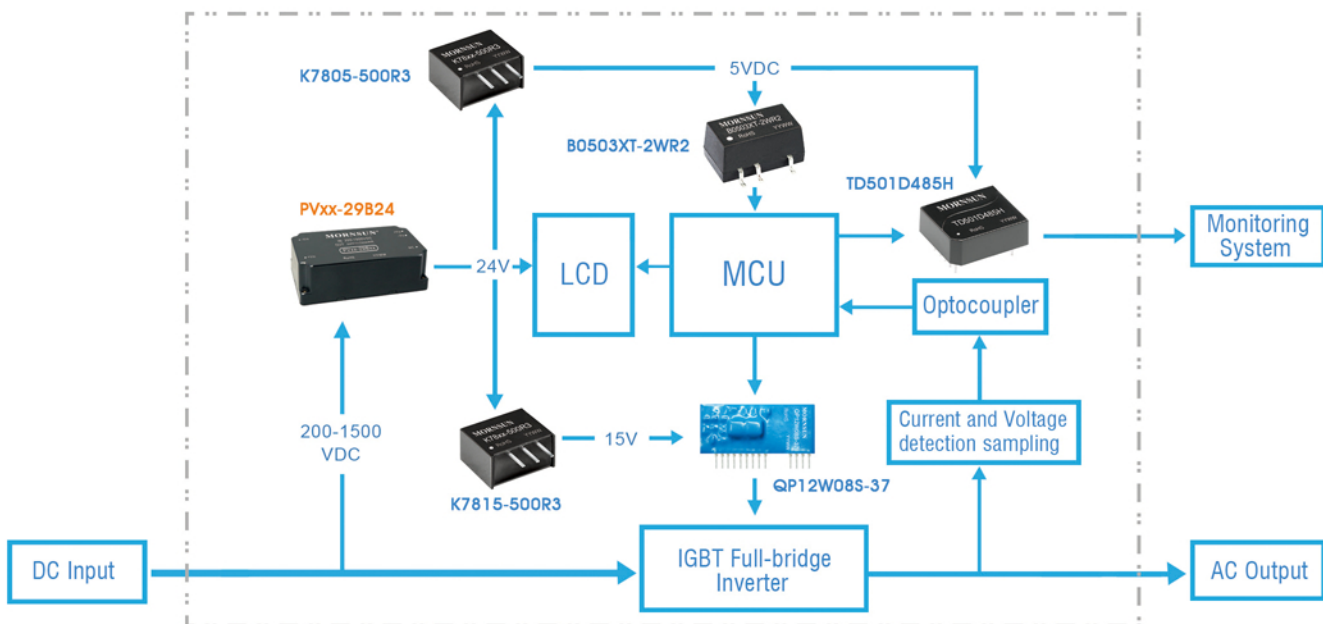
PV Combiner Box Monitoring Diagram:



One-stop Solutions:

- **PVxx-29B24** Powering monitoring circuit from high-voltage terminal
- **B0503XT-2WR2** Powering MCU
- **K7805-500R3** Converting voltage
- **F0505S-1WR2** Powering Hall sensor
- **TD501D485H** Suppressing EMI & eliminating effects of ground loop

PV Inverter Monitoring Diagram:



One-stop Solutions:

- **PVxx-29B24** Powering monitoring circuit from high-voltage terminal
- **B0503XT-2WR2** Powering MCU
- **QP12W08S-37** Driving IGBT Full-bridge Inverter
- **K7805-500R3** Converting voltage
- **K7815-500R3** Converting voltage
- **TD501D485H** Suppressing EMI & eliminating effects of ground loop